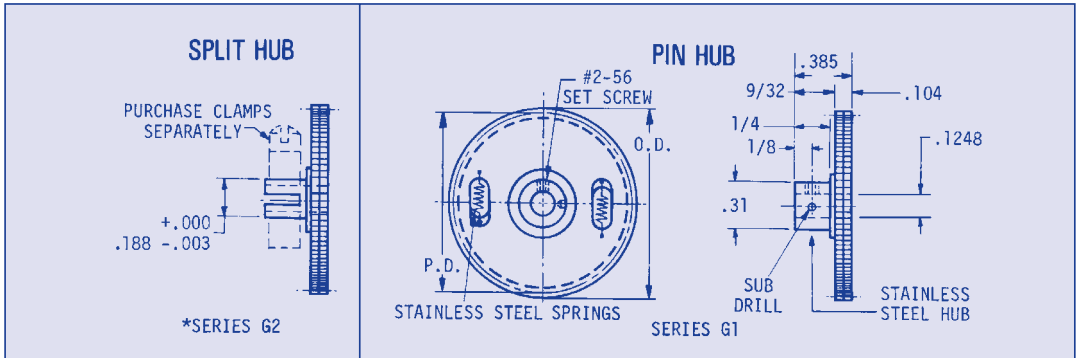


ANTI-BACKLASH GEARS - COMPACT DESIGN

**72 PITCH
.104 FACE
.1248 BORE**

20° PRESSURE ANGLE QUALITY NO. 10



When ordering Q12 please supply the catalog number and add Q12. **ORDER BY CATALOG NUMBER**

Gear Class	Total Composite Tolerance	Tooth to Tooth Composite Tolerance	Bore	Pitch Dia.	Outside Dia.
Q10	.001	.0004	+.0005	-.001	-.002
Q12	.0005	.0003	+.0003	-.0007	-.0015

# 303 STAINLESS STEEL	2024-T4 ALUMINUM ANODIZED BEFORE CUTTING**	GEAR DATA		
Pin Hub Cat. No.*	Pin Hub Cat. No.*	No. of Teeth	Pitch Diameter	Outside Diameter
LFS-G1-100	LFA-G1-100	100	1.3888	1.417
LFS-G1-105	LFA-G1-105	105	1.4583	1.486
LFS-G1-108	LFA-G1-108	108	1.5000	1.528
LFS-G1-110	LFA-G1-110	110	1.5277	1.556
LFS-G1-115	LFA-G1-115	115	1.5972	1.625
LFS-G1-120	LFA-G1-120	120	1.6666	1.695
LFS-G1-125	LFA-G1-125	125	1.7361	1.764
LFS-G1-130	LFA-G1-130	130	1.8055	1.833
LFS-G1-140	LFA-G1-140	140	1.9444	1.972
LFS-G1-144	LFA-G1-144	144	2.0000	2.028
LFS-G1-150	LFA-G1-150	150	2.0833	2.111
LFS-G1-160	LFA-G1-160	160	2.2222	2.250
LFS-G1-170	LFA-G1-170	170	2.3611	2.389
LFS-G1-180	LFA-G1-180	180	2.5000	2.528
LFS-G1-190	LFA-G1-190	190	2.6388	2.667
LFS-G1-200	LFA-G1-200	200	2.7777	2.806

**Anodizing may be grey color or black at Nordex option.

*To order split hub please use - G2 in place of - G1 in catalog number.

Clamps are not supplied and may be purchased separately; special bore sizes available upon request.