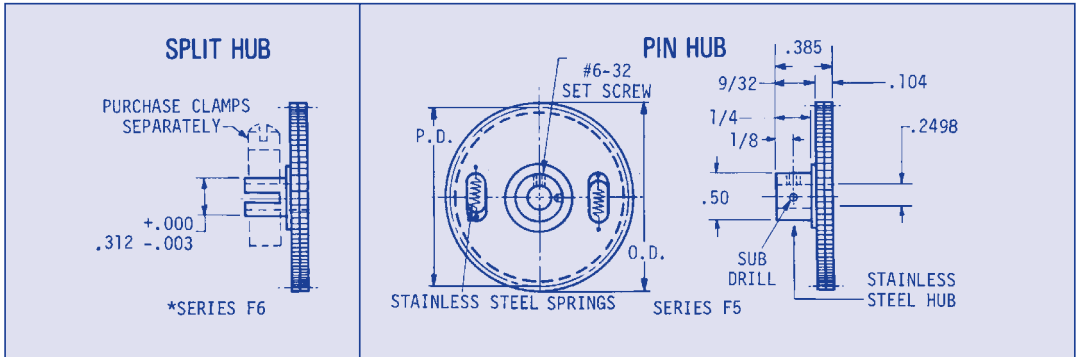


ANTI-BACKLASH GEARS - COMPACT DESIGN

**64 PITCH
.104 FACE
.2498 BORE**

20° PRESSURE ANGLE QUALITY NO. 10



When ordering Q12 please supply the catalog number and add Q12. **ORDER BY CATALOG NUMBER**

Gear Class	Total Composite Tolerance	Tooth to Tooth Composite Tolerance	Bore	Pitch Dia.	Outside Dia.
Q10	.001	.0004	+.0005	-.001	-.002
Q12	.0005	.0003	+.0003	-.0007	-.0015

# 303 STAINLESS STEEL	2024-T4 ALUMINUM ANODIZED BEFORE CUTTING**	GEAR DATA		
Pin Hub Cat. No.*	Pin Hub Cat. No.*	No. of Teeth	Pitch Diameter	Outside Diameter
LFS-F5-85	LFA-F5-85	85	1.3281	1.359
LFS-F5-90	LFA-F5-90	90	1.4063	1.438
LFS-F5-95	LFA-F5-95	95	1.4844	1.516
LFS-F5-96	LFA-F5-96	96	1.5000	1.531
LFS-F5-100	LFA-F5-100	100	1.5625	1.594
LFS-F5-105	LFA-F5-105	105	1.6406	1.672
LFS-F5-108	LFA-F5-108	108	1.6875	1.718
LFS-F5-110	LFA-F5-110	110	1.7187	1.750
LFS-F5-115	LFA-F5-115	115	1.7969	1.828
LFS-F5-120	LFA-F5-120	120	1.8750	1.906
LFS-F5-125	LFA-F5-125	125	1.9531	1.984
LFS-F5-128	LFA-F5-128	128	2.0000	2.031
LFS-F5-130	LFA-F5-130	130	2.0312	2.063
LFS-F5-140	LFA-F5-140	140	2.1875	2.219
LFS-F5-150	LFA-F5-150	150	2.3438	2.375
LFS-F5-160	LFA-F5-160	160	2.5000	2.531
LFS-F5-170	LFA-F5-170	170	2.6563	2.688
LFS-F5-176	LFA-F5-176	176	2.7500	2.781

**Anodizing may be grey color or black at Nordex option.

*To order split hub please use - F6 in place of - F5 in catalog number.

Clamps are not supplied and may be purchased separately; special bore sizes available upon request.