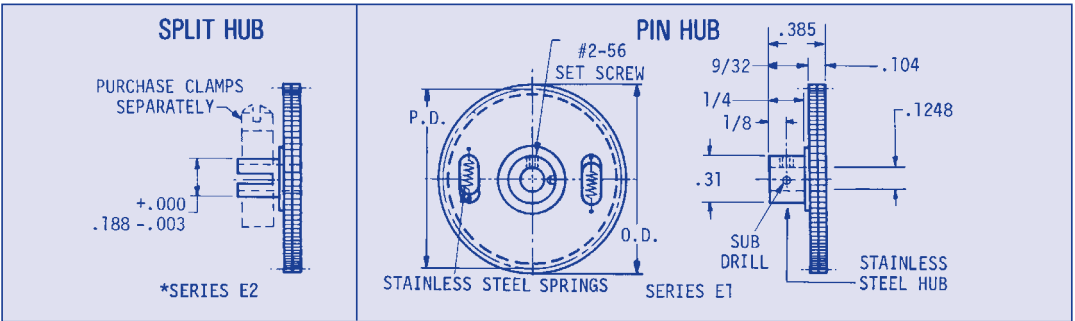


ANTI-BACKLASH GEARS - COMPACT DESIGN

**48 PITCH
.104 FACE
.1248 BORE**

20° PRESSURE ANGLE QUALITY NO. 10



When ordering Q12 please supply the catalog number and add Q12. **ORDER BY CATALOG NUMBER**

Gear Class	Total Composite Tolerance	Tooth to Tooth Composite Tolerance	Bore	Pitch Dia.	Outside Dia.
Q10	.001	.0004	+.0005	-.001	-.002
Q12	.0005	.0003	+.0003	-.0007	-.0015

# 303 STAINLESS STEEL	2024-T4 ALUMINUM ANODIZED BEFORE CUTTING**	GEAR DATA		
Pin Hub Cat. No.*	Pin Hub Cat. No.*	No. of Teeth	Pitch Diameter	Outside Diameter
LFS-E1-65	LFA-E1-65	65	1.3541	1.396
LFS-E1-70	LFA-E1-70	70	1.4583	1.500
LFS-E1-72	LFA-E1-72	72	1.5000	1.542
LFS-E1-75	LFA-E1-75	75	1.5625	1.604
LFS-E1-80	LFA-E1-80	80	1.6667	1.708
LFS-E1-84	LFA-E1-84	84	1.7500	1.792
LFS-E1-85	LFA-E1-85	85	1.7708	1.812
LFS-E1-90	LFA-E1-90	90	1.8750	1.916
LFS-E1-95	LFA-E1-95	95	1.9791	2.021
LFS-E1-96	LFA-E1-96	96	2.0000	2.042
LFS-E1-100	LFA-E1-100	100	2.0833	2.125
LFS-E1-105	LFA-E1-105	105	2.1875	2.229
LFS-E1-110	LFA-E1-110	110	2.2916	2.333
LFS-E1-115	LFA-E1-115	115	2.3958	2.438
LFS-E1-120	LFA-E1-120	120	2.5000	2.541
LFS-E1-125	LFA-E1-125	125	2.6041	2.646
LFS-E1-130	LFA-E1-130	130	2.7083	2.750
LFS-E1-132	LFA-E1-132	132	2.7500	2.791

Clamps are not supplied and may be purchased separately; special bore sizes available upon request.

*To order split hub please use - E2 in place of - E1 in catalog number.

**Anodizing may be grey or black at Nordex option.